



POLSKIE RATOWNICTWO OKRĘTOWE

Established 1951



"MAJA"
SELF PROPELLED REVOLVING FLOATING CRANE
330 TONS LIFTING CAPACITY



DESCRIPTION

Type:	Self propelled, revolved floating crane
Classification:	PRS
Class:	*KM Floating Crane III [1] L3
Delivered:	1980
Port of registry:	Gdynia
Flag:	Polish
Call sign:	SQKR
MMSI	261000130
IMO number:	8829127

DIMENSIONS

Length over all:	55,49 m
Breadth:	25,02 m
Draught:	2,85 m
GRT:	1964
NRT:	589

CRANE

Main hook	330 tons
Small hook:	100 tons
Main hook speed	0,15-3,5 m/min
Small hook speed	0,15-5,5 m/min
360° revolving time	4,5 min

DECK CARGO CAPACITY

Deck cargo capacity:	850 tons
Cargo deck area:	19,2 x 19,2 m
Cargo deck strength:	6-10 tons/m ²

DECK EQUIPMENT

Mooring winches	4, with 120 m wires
Anchor winches	4, with 200 m chains

WORK CONDITIONS

Work of crane :	wind up to 10m/s, sea up to 3
Sailing.:	Wind up to 6 Beauforth
Max speed:	6 knots

TANKS CAPACITY

Fuel oil :	94 m ³
Potable water.:	25 m ³
Ballast water:	200 m ³

ENGINES AND PROPULSION

Main engines:	2 x Sulzer 6AL25/30,
BHP:	2170
Alternators:	2 x 1250kVA
Propellers:	3 cycloidal on aft of pontoon

OTHER

Submersible salvage pumps:
Accommodation up to 16 persons including crew

**LIST OF EQUIPMENT AND MORE DETAILS ON
WWW.PROGDYNIA.PL**



MAIN HOOK 330 T - CRANE RADIUS FROM AXIS OF ROTATION - SIDE PROGRAM

	330 T	300 T					275 T				220 T				165 T				132 T							
HEIGHT ABOVE WATER LEVEL (m)	46.0	46.0	45.3	44.3	43.7	43.0	42.3	41.5	40.8	40.4	39.4	38.6	38.0	37.4	36.7	36.0	35.1	34.2	33.3	32.0	30.2	29.6	28.7	27.4	25.4	24.0
RADIUS (m)	15.0	15.0	16.0	17.0	18.0	18.8	20.0	21.0	22.0	23.0	24.0	25.0	26.0	27.4	28.0	29.0	30.0	31.0	32.0	33.0	34.2	35.0	36.0	37.0	38.0	38.7

OUTREACH FROM PONTOON SIDE = RADIUS - 12.8 M

MAIN HOOK 330 T - CRANE RADIUS FROM AXIS OF ROTATION - BOW PROGRAM (0-17 DEGREES FROM SYMMETRY LINE)

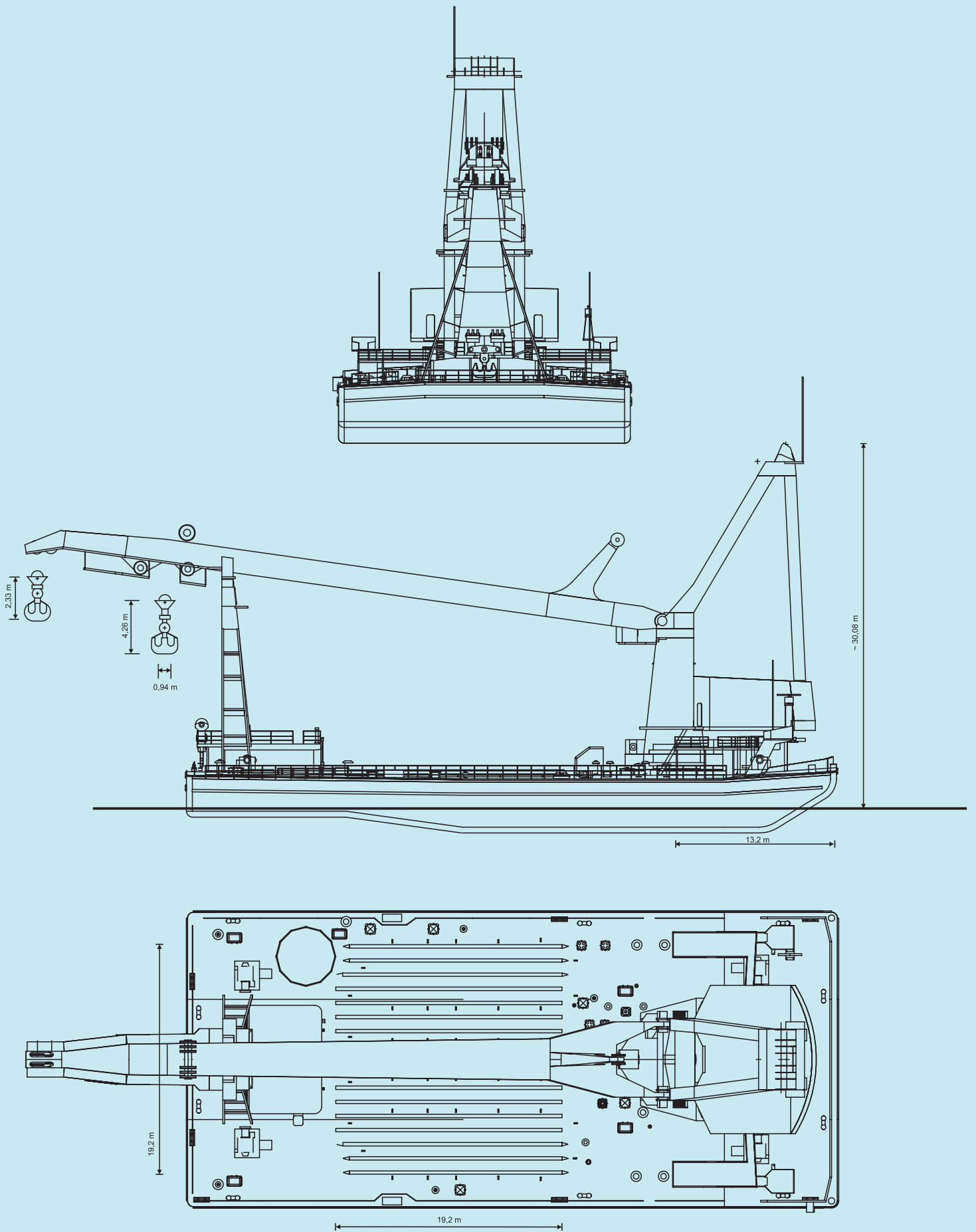
	330 T												275 T			220 T			165 T					
HEIGHT ABOVE WATER LEVEL (m)	46.0	45.3	45.0	44.5	44.0	44.0	43.5	43.0	42.5	42.0	41.0	40.5	40.5	40.0	39.0	38.0	37.0	36.0	35.0	34.0	32.5	31.0	29.5	29.0
RADIUS (m)	15.0	16.0	17.0	18.0	19.0	20.0	21.0	22.0	23.0	24.0	25.0	26.7	28.0	29.0	29.7	31.0	32.0	32.7	34.0	35.0	36.0	37.0	38.0	38.7

OUTREACH FROM BOW OF PONTOON = RADIUS - 13.2 M

HOOK 100T - CRANE RADIUS FROM AXIS OF ROTATION

	100 T																								
HEIGHT ABOVE WATER LEVEL (m)	60	59	58	57	56	55	54	53	52	51	50	49	48	47	46	45	44	43	42	41	40	39	38	37	36
RADIUS (m)	18.0	19.2	20.5	21.7	22.6	24.0	25.2	26.6	27.8	29.0	30.2	31.4	32.6	34.0	35.2	36.4	37.6	39.0	40.2	41.4	42.6	44.0	45.0	46.3	47.7

OUTREACH FROM PONTOON SIDE = RADIUS - 12.8 M



All details in this brochure are given without guarantee.



26 Miodowa Str.
81-558 GDYNIA,
POLAND

Phone: (+48 58) 624-81-22
Fax: (+48 58) 620-19-78
Mobile: (+48) 601 63 00 48

E-mail: robert.orlowski@progdynia.pl
web page: www.progdynia.pl
VAT No PL5860104397